



# RFGate 2.1.W2

Part No. 365398A

DATASHEET

## 1-Channel Radio Transmission System

### System with transmitter with integrated wicket door switch

#### General data

Frequency bands	868.95 MHz / 869.85 MHz
Range	100 m at optimum conditions
Communication	Bidirectional
Radiated power	< 5 dbm / 3 mW

#### Transmitter, with integrated wicket door switch

#### RFGate 2.1.W2.S

Material (housing)	ABS light grey
Supply voltage	2 Lithium batteries 3V (CR2032)
Battery life	Typ. 2 years
Current consumption	Transmitting 17mA; idle state 16µA
Switching distance (transmitter – magnet)	5 mm
Available codes	65'536

#### Receiver

#### RFGate 2.1.R

Dimensions	189 x 50.8 x 36 mm
Material (housing)	Polycarbonate smoke-coloured
Connection	7 screw terminals
Supply voltage	12-24 VAC/DC -10% / +20%
Power consumption	0,5 W at 12 V / 1,2 W at 24V
Transmitter memory	10 transmitters
Output	Relay 24 VAC/DC, 1 A
As option	With parallel resistor 8,2 kOhm
Display	2 LEDs (status output, programming)
Low battery indication	Acoustical and optical

#### Ambient conditions

Protection category Receiver	IP 55
Protection category Transmitter	IP 65
Operating temperature	-20°C to +55°C
Storage temperature	-40°C to +80°C
Rel. air humidity	< 95%, non-condensing

#### Approvals

EN 300 220, EN 301 489

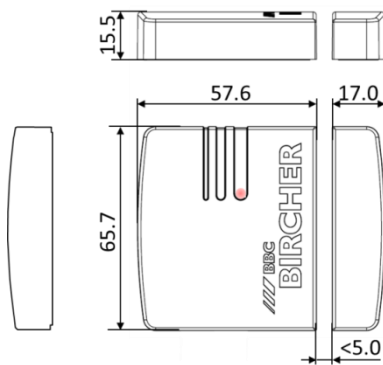
#### Scope of Delivery:

Transmitter, magnet, 2 batteries, Receiver,  
6 instruction manuals (DE, EN, FR, IT, NL, SV), 2 short guides and mounting material



## Dimensions

Transmitter:



Receiver:

