



RFGate 2.2.W2.F.A

Part No. 365399A

DATASHEET

2-Channel Radio Transmission System

System with two transmitters (one for safety edges, one with integrated wicket door switch)

General data

Frequency bands	868.95 MHz / 869.85 MHz
Range	100 m at optimum conditions
Communication	Bidirectional
Radiated power	< 5 dbm / 3 mW

Transmitter 1, programmable for safety edge or contact

Material (housing)	Polyamide light grey
Connection	4 screw terminals
Supply voltage	2 Lithium batteries 3V (CR2032)
Battery life	Typ. 2 years
Current consumption	Transmitting 17mA; idle state 16µA
Available codes	65'536
Dip-switches, factory setting	ON, OFF

Transmitter 2, with integrated wicket door switch

Material (housing)	ABS light grey
Supply voltage	2 Lithium batteries 3V (CR2032)
Battery life	Typ. 2 years
Current consumption	Transmitting 17mA; idle state 16µA
Switching distance (transmitter – magnet)	5 mm
Available codes	65'536

Receiver

Material (housing)	Polyamide grey
Connection	12 screw terminals
Supply voltage	12-24 VAC/DC -10% / +20%
Power consumption	0,5 W at 12 V / 1,2 W at 24V
Transmitter memory	7 transmitters per channel
Outputs	2 Relays 24 VDC, 1 A
As option	With parallel resistor 8,2 kOhm
Test input	Galvanically separated, NO or NC
Display	3 LEDs (2 status outputs, 1 progr.)
Dip-switches, factory setting	ON, OFF, OFF, OFF, ON
Low battery indication	Acoustical and optical

Ambient conditions

Protection category Transmitter 1, Receiver	IP 55
Protection category Transmitter 2	IP 65
Operating temperature	-20°C to +55°C
Storage temperature	-40°C to +80°C
Rel. air humidity	< 95%, non-condensing

Approvals

EN 300 220, EN 301 489
EN ISO 13849-1 (PLc, Cat.2, MTTFD 28.8)

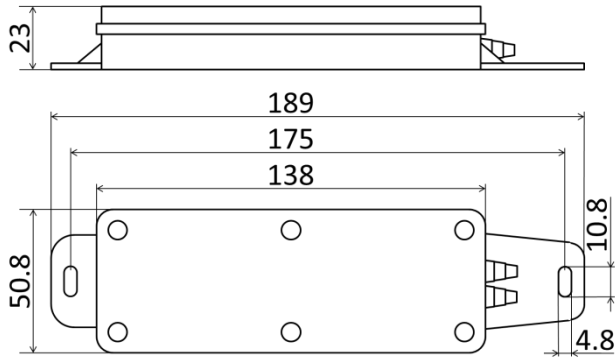


Scope of Delivery:

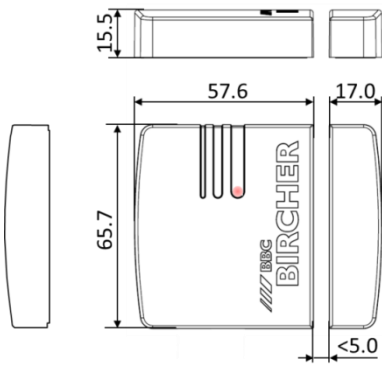
Transmitter for safety edges / contacts, Transmitter with Magnet, 4 batteries, Receiver, 6 instruction manuals (DE, EN, FR, IT, NL, SV) and mounting material

Dimensions

Transmitter 1:



Transmitter 2:



Receiver :

