

D3-P K1

Mounting instructions

This manual explains how the D3-P K1 switch is mounted to a wall or door.
At the end of this manual, a template for the correct drilling position is available.

1 Delivered D3-PK1 switch



2 Remove the cover



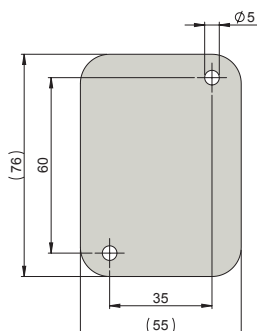
The hose is mounted in the case without any extreme bending.

3 Removing the D3-P K1 switch



Leave the hose connected to the switch while marking the hole positions or attaching the housing. This ensures proper hose position as in picture 5 upon re-inserting the switch.

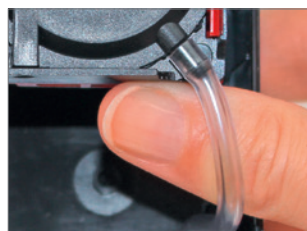
4 Positioning of the housing – template for drill holes



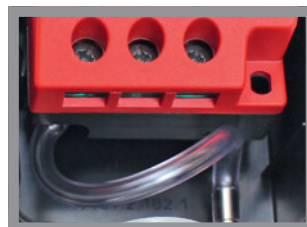
For the positioning of the mounting holes use the housing or the drilling template on page 2.

Once the holes are drilled the housing can be fixed with screws.

5 Insert the D3-P K1 switch



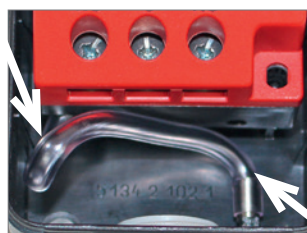
When inserting the switch avoid kinks in the hose.



Correct device assembly and proper hose position.

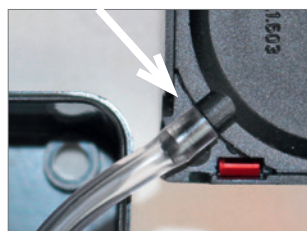
6 Replace the cover

TROUBLESHOOTING



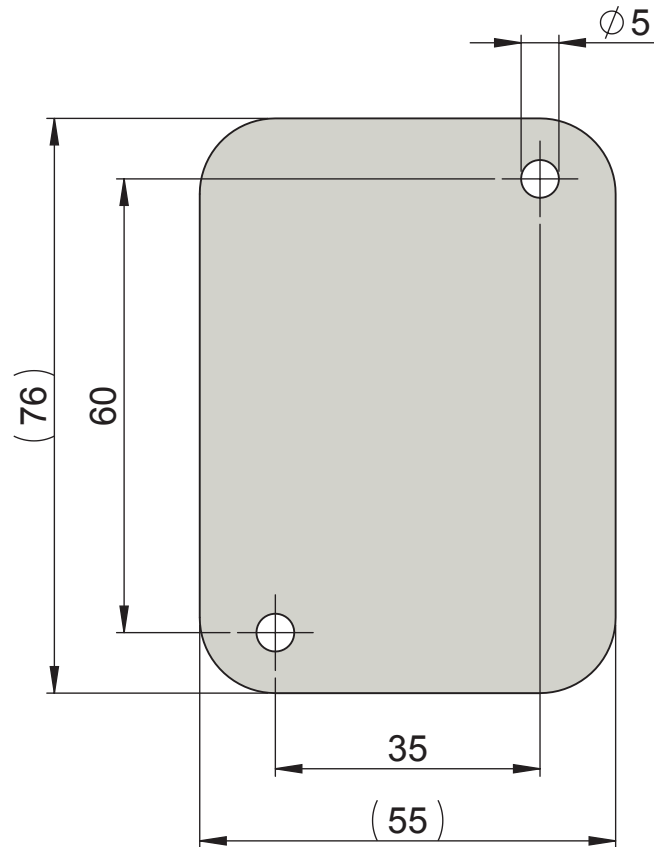
Error situation:

The hose has a kink, functionality cannot be guaranteed.



Corrective action:

Make sure the hose is inserted all the way to the ledge of the connecting piece. Then slightly rotate the hose on the switch connecting piece left or right and insert the switch - repeat hose rotation / switch insertion until the hose position looks like in picture 5.



Contact

Bircher Reglomat AG
Wiesengasse 20
CH-8222 Beringen
www.bircher-reglomat.com