



CareMat® M, Sample

The pressure-sensitive mat for supervision of people with dementia and disorientation

Product Description

CareMat® is used in retirement and nursing homes as well as in hospitals and similar facilities. It is placed beside the patient's bed or by the room door exit. In both cases the CareMat® is connected to the in-house nurse call system. As soon as the person leaves the bed or the room he will step onto the CareMat® and a signal is triggered via the nurse call system. This allows the personnel on duty to establish at any time of the day or night, when and where a patient got out of bed or it's leaving the room. As a result, CareMat® contributes to providing assistance immediately, thus significantly reducing the risk of falls or the danger of patient wandering.



Selection chart

CareMat® **M** **01** **T** **E868**

Dimension code

- A 1100 x 700 mm
- B 700 x 400 mm
- C 1100 x 700 mm, semi-circular
- M 283 x 202 mm, sample

Case Dimension code

- 01 56 x 38 x 10 mm
- 05 Ekahau A4 WiFi Tag

Type code

- E Empty
- C Cable, bare ends
- P PCB, additional functions
- T Transmitter

Transmitter type code

- B434 Bosch 434 MHz
- E868 ELDAT 868 MHz
- L433 Lehmann electronic 433 MHz
- L869 Lehmann electronic 869 MHz
- EK2.4 Ekahau 2.4 GHz

Features

- Dimensions 283 x 202 mm
- Hard-wired and wireless versions
- A robust and reliable alarm sensor
- Hygienic: easily cleaned and resistant to bodily fluids

Content

- 1 Product description
Selection chart
Features
- 2 Model list
Technical specifications
- 3 Technical specifications
Caremat dimensions
- 4 Technical specifications
Case dimensions
- 5 Case dimensions
Product details
- 6 Product details

Model list

Product	Part number	Description
CareMat M01E	303411	283 x 202 mm, sample / empty housing
CareMat M01C	303389	283 x 202 mm, sample / cable
CareMat M01P	307499	283 x 202 mm, sample / universal PCB
CareMat M01T E868	303414	283 x 202 mm, sample / ELDAT radio transmitter 868 MHz
CareMat M01T B434	303412	283 x 202 mm, sample / Bosch radio transmitter 434 MHz
CareMat M01T L433	336677	283 x 202 mm, sample / Lehmann radio transmitter 433 MHz
CareMat M01T L869	336679	283 x 202 mm, sample / Lehmann radio transmitter 869 MHz
CareMat M05T EK2.4	338783	283 x 202 mm, sample / Ekahau A4 WiFi Tag 2.4 GHz

Technical Specifications

Characteristics

■ CareMat General

Dimensions	283 x 202 mm x 9 mm (Standard 01 case)
Dimensions	283 x 202 mm x 19 mm (Ekahau A4 WiFi Tag)
Weight	0.6 kg
Material	Polyurethane PU
Colour	care yellow
Surface	Nub structure with sloped edges
Person activation weight	Min. 10 kg
Chemical resistance	Water, bodily fluids, commercially available disinfectants, max. 70 % vol. alcohol
Protection class	IP 54, dust- and splash-proof
Temperature range	0 to +55 °C

■ CareMat versions with cable

CareMat M01E

Connection	This CareMat can be equipped by cable or various transmitters
EC-Conformity	RoHS 2011/65/EU

CareMat M01C

Cable Length	3 m
Cable cross-section	Ø 5.1 +/- 2 mm
Cable type	2 wires
Wire cross section	≤ 0.14 mm ²
Signal output	Normally open contact (NO)
Admissible capacity	Max. 50 mA at 48 V AC/DC
EC-Conformity	RoHS 2011/65/EU

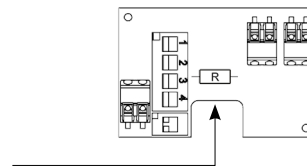
CareMat M01P

Cable Length	3 m
Cable cross-section	Ø 5.1 +/- 2 mm
Cable type	4 wires
Wire cross section	0.14 mm ²
Signal output	Normally open contact (NO) or resistance monitoring (acc. to VDE 0834)
Operating voltage	3-24 VDC
Operating current	Max. 25 mA
EC-Conformity	RoHS 2011/65/EU, EMC 2004/108/EC

Functionalities universal PCB The CareMat B01P (P= circuit board) includes a universal circuit board in the housing. The universal circuit board can be adapted to your needs by altering the switch positions. The wiring on the universal circuit board must not be removed. The connections are protected against wrong polarity of input voltage.

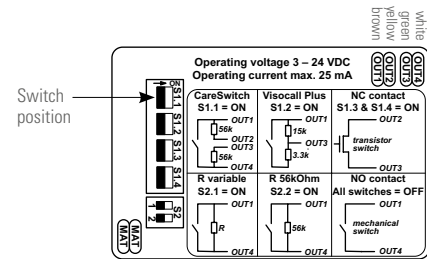
Variable resistance R

The universal circuit board has two connector sockets for commercially-available wired resistors. A call resistor that is specifically for the call system for line monitoring can be installed in this. The connecting wiring should have a diameter between 0.38 and 0.56 mm. The socket spacing should be 14 mm.



NC contact

The NC (normally closed) contact option that can be selected on the universal PCB is a transistor circuit that operates according to the quiescent current principle. If the CareMat is not actuated, a quiescent current flows through the NC contact as a result of the externally applied voltage. If the resident / patient actuates the CareMat by stepping on it, this NC contact is opened. This can be detected by a nurse call system operating according to the quiescent current principle that monitors the current flow.



■ CareMat wireless versions

CareMat M01T B434

Radio transmitter	BOSCH, 1 channel, unidirectional
Radio frequency	434.01 MHz, BOSCH-TeleAlarm protocol
Radio range	250 m (in free field), 30 m (in building)
Battery type	1x CR2032, 3V Lithium
Battery lifetime	3 years (at 3 alarms and 1 daily test transmission)
EC-Conformity	RoHS 2011/65/EU, R&TTE Directive 1999/5/EC

CareMat M01T E868

Radio transmitter	ELDAT, 1 channel, unidirectional
Radio frequency	868.30 MHz, EasyWave® protocol
Radio range	250 m (in free field), 30 m (in building)
Battery type	1x CR2032, 3V Lithium
Battery lifetime	2 years
EC-Conformity	RoHS 2011/65/EU, R&TTE Directive 1999/5/EC

CareMat M01T L433

Radio transmitter	Lehmann electronic VarioRec®, 1 channel, unidirectional
Radio frequency	433.92 MHz, VarioRec® protocol
Radio range	100 m (in free field), 30 m (in building)
Battery type	1x 3 V Lithium button cell CR2032
Battery lifetime	3 years
Battery monitoring	Battery low, recognition with radio transfer
EC-Conformity	RoHS 2011/65/EU, R&TTE Directive 1999/5/EC

Characteristics

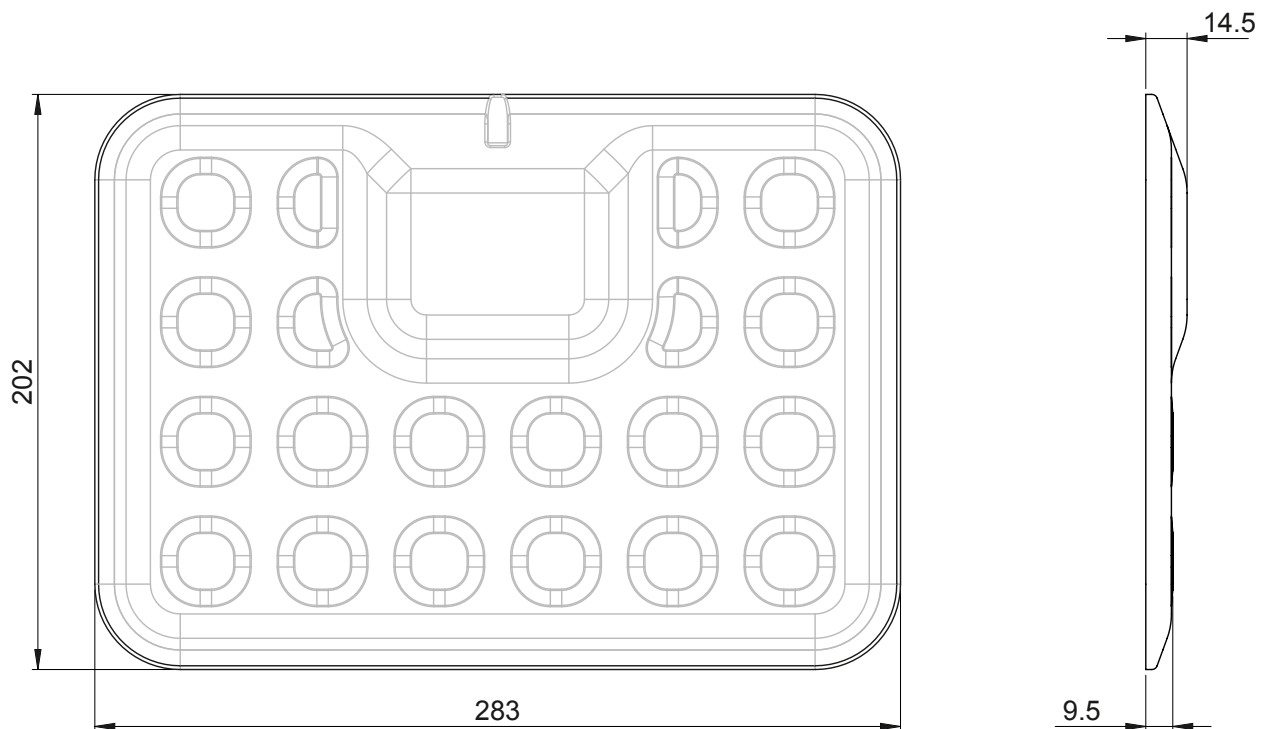
CareMat M01T L869

Radio transmitter	Lehmann electronic VarioRec®, 1 channel, unidirectional
Radio frequency	869.2125 MHz, VarioRec® protocol
Radio range	100 m (in free field), 30 m (in building)
Battery type	1x 3 V Lithium button cell CR2032
Battery lifetime	3 years
Battery monitoring	Battery low, recognition with radio transfer
EC-Conformity	RoHS 2011/65/EU, R&TTE Directive 1999/5/EC

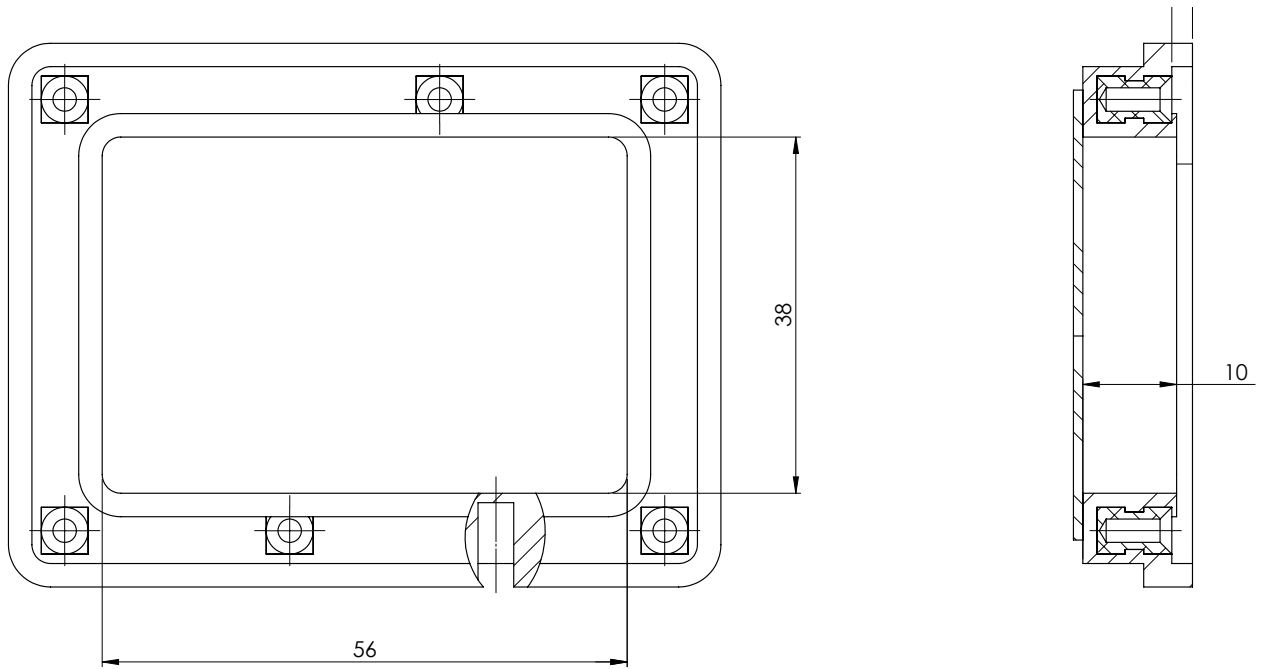
CareMat M05T EK2.4

Radio transmitter	Ekahau A4 WiFi Tag
Radio frequency	802.11b/g 2.4GHz Wi-Fi networks
Radio range	40m @11Mbit/s (in building), 60m @2Mbit/s (in free field)
Battery type	2x 3 V Lithium cylindrical cell CR2
Battery lifetime	18 months (in 24h by 4 interval alive events / 2 CareMat movement events / 3 person step on events)
Battery monitoring	Battery low warning system
EC-Conformity	RoHS 2011/65/EU, R&TTE Directive 1999/5/EC

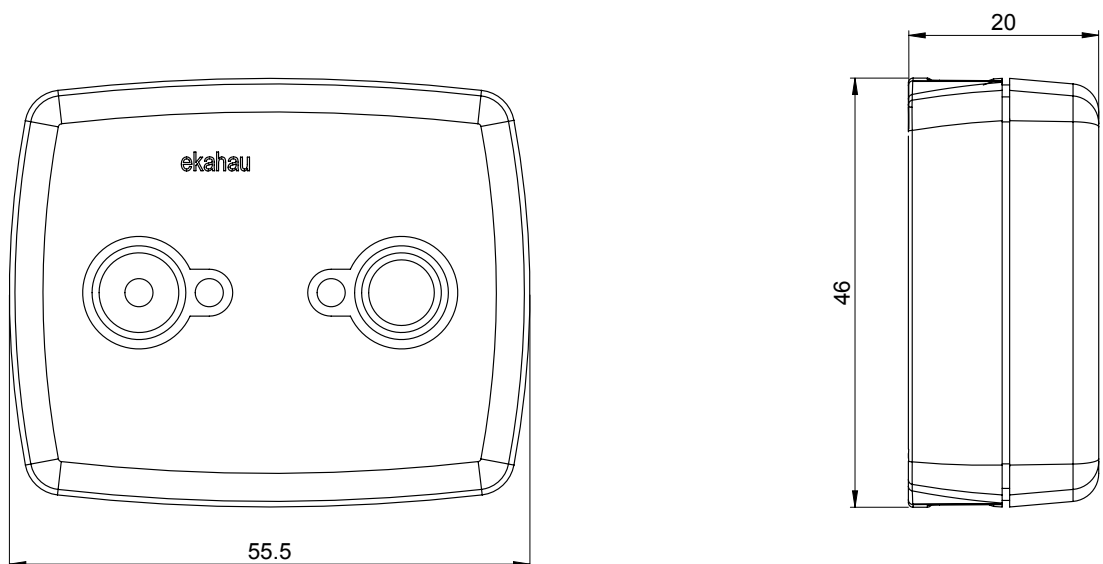
CareMat Dimensions



01 Case Dimensions (Standard)

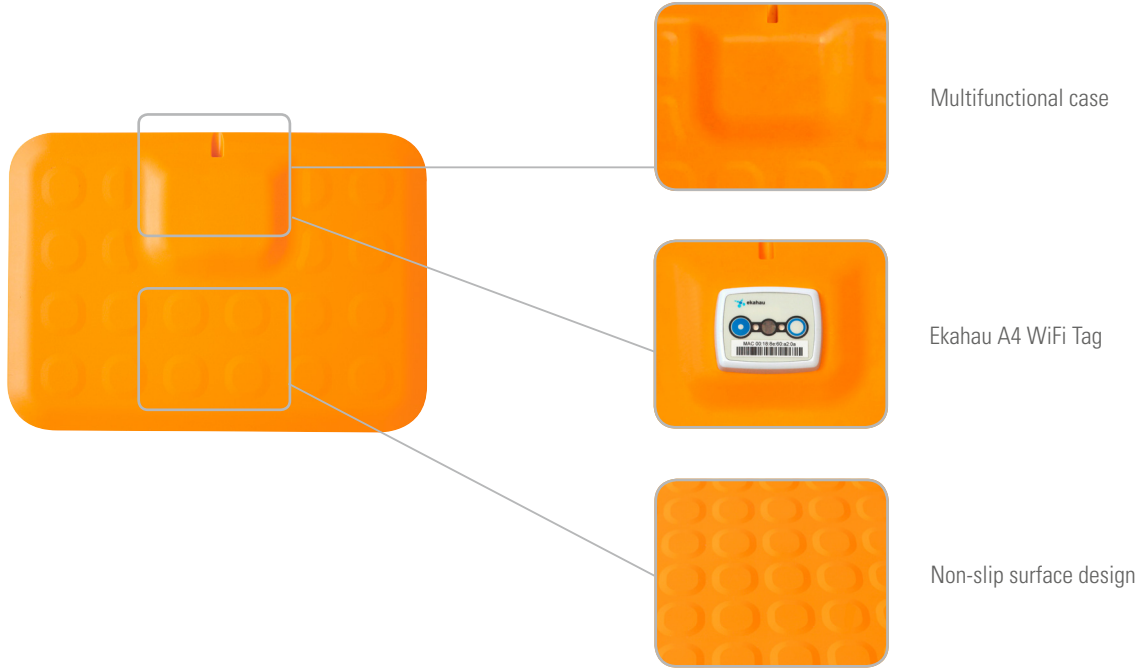


05 Case Dimensions (Ekahau)

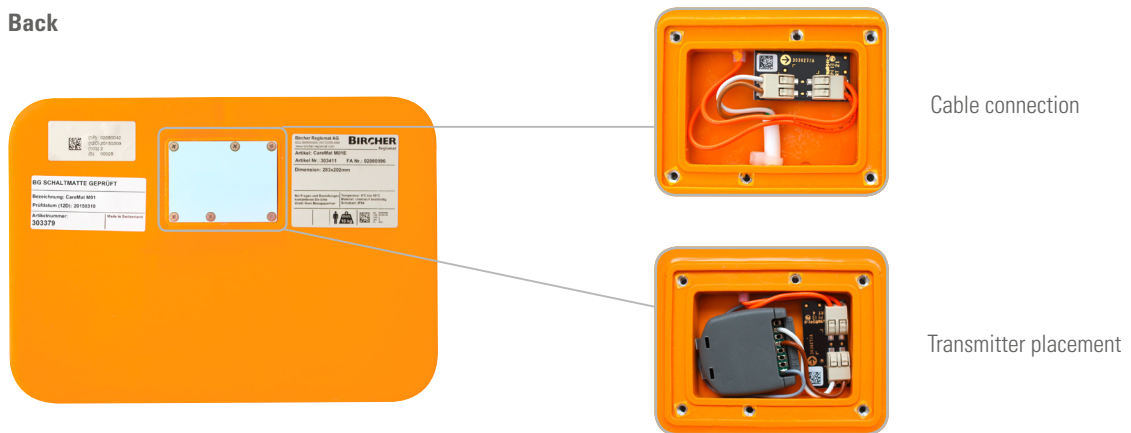


Product Details

Front



Back



Packaging



Find out more about the product online
www.caremat.ch

